

FR1A THRU FR1K

SURFACE MOUNT FAST SWITCHING RECTIFIER VOLTAGE - 50 to 800 Volts CURRENT - 1.0 Ampere

FEATURES

- For surface mounted applications
- Low profile package
- Built-in strain relief
- Easy pick and place
- Fast recovery times for high efficiency
- Plastic package has Underwriters Laboratory

Flammability Classification 94V-O

- Glass passivated junction
- High temperature soldering:
260 /10 seconds at terminals

MECHANICAL DATA

Case: JEDEC DO-214AA molded plastic

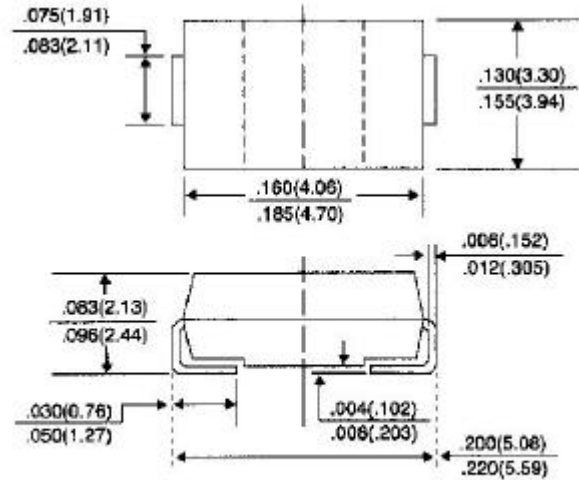
Terminals: Solder plated, solderable per MIL-STD-750,
Method 2026

Polarity: Indicated by cathode band

Standard packaging: 12mm tape (EIA-481)

Weight: 0.003 ounce, 0.093 gram

SMB/DO-214AA



Dimensions in inches and (millimeters)

MAXIMUM RATINGS AND ELECTRICAL CHARACTERISTICS

Ratings at 25 °C ambient temperature unless otherwise specified.

Resistive or inductive load.

For capacitive load, derate current by 20%.

	SYMBOLS	FR1A	FR1B	FR1D	FR1G	FR1J	FR1K	UNITS
Maximum Recurrent Peak Reverse Voltage	V_{RRM}	50	100	200	400	600	800	Volts
Maximum RMS Voltage	V_{RMS}	35	70	140	280	420	560	Volts
Maximum DC Blocking Voltage	V_{DC}	50	100	200	400	600	800	Volts
Maximum Average Forward Rectified Current, at $T_L=90$	$I_{(AV)}$	1.0						Amps
Peak Forward Surge Current 8.3ms single half sine-wave superimposed on rated load(JEDEC method)	I_{FSM}	30.0						Amps
Maximum Instantaneous Forward Voltage at 1.0A	V_F	1.3						Volts
Maximum DC Reverse Current $T_A=25$ At Rated DC Blocking Voltage $T_A=125$	I_R	5.0 150						A
Maximum Reverse Recovery Time (Note 1) $T_J=25$	T_{RR}	150				250	500	nS
Typical Junction capacitance (Note 2)	C_J	12						pF
Maximum Thermal Resistance (Note 3)	R_{JL}	30						/W
Operating and Storage Temperature Range	T_J, T_{STG}	-50 to +150						

NOTES:

1. Reverse Recovery Test Conditions: $I_F=0.5A$, $I_R=1.0A$, $I_{rr}=0.25A$

2. Measured at 1 MHz and Applied reverse voltage of 4.0 volts
3. 8.0mm² (.013mm thick) land areas

RATING AND CHARACTERISTIC CURVES

FR1A THRU FR1K

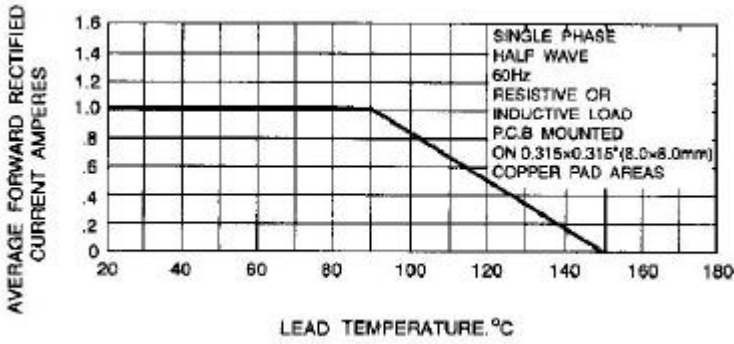


Fig. 1-FORWARD CURRENT DERATING CURVE

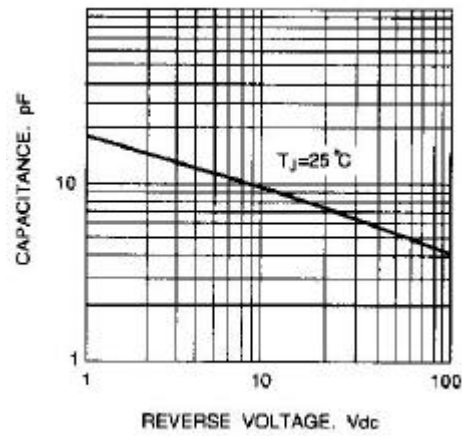


Fig. 2-TYPICAL JUNCTION CAPACITANCE

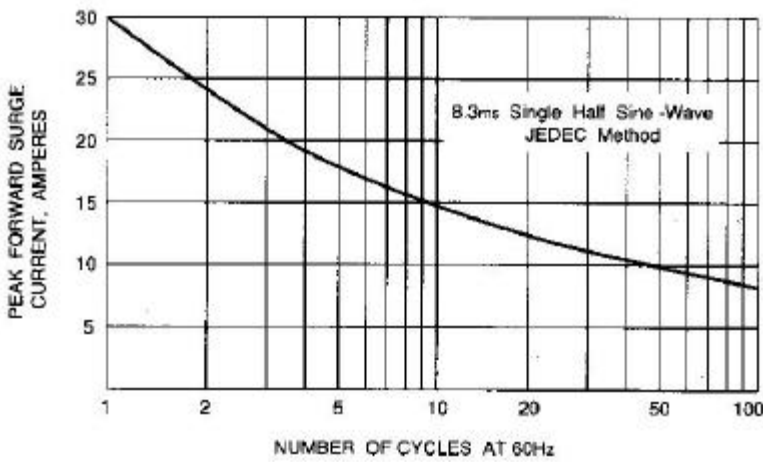


Fig. 3-PEAK FORWARD SURGE CURRENT

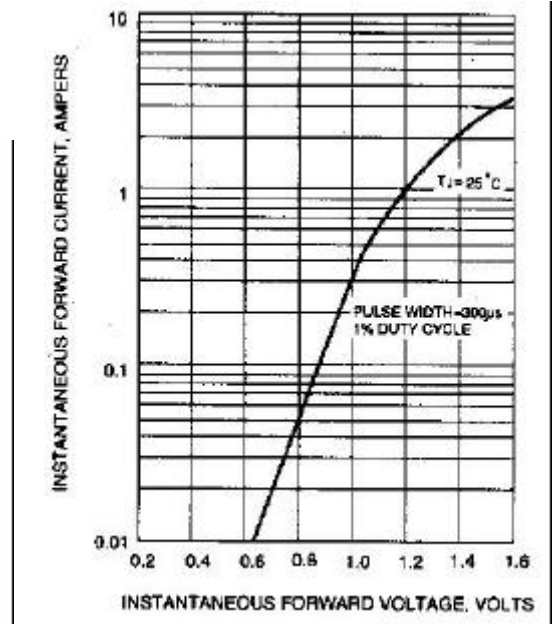


Fig. 4-TYPICAL INSTANTANEOUS FORWARD CHARACTERISTICS

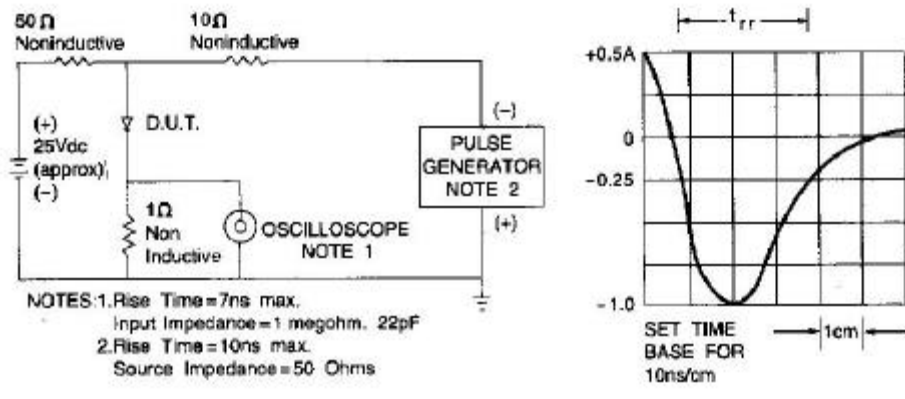


Fig. 5-REVERSE RECOVERY TIME CHARACTERISTICS AND TEST CIRCUIT DIAGRAM